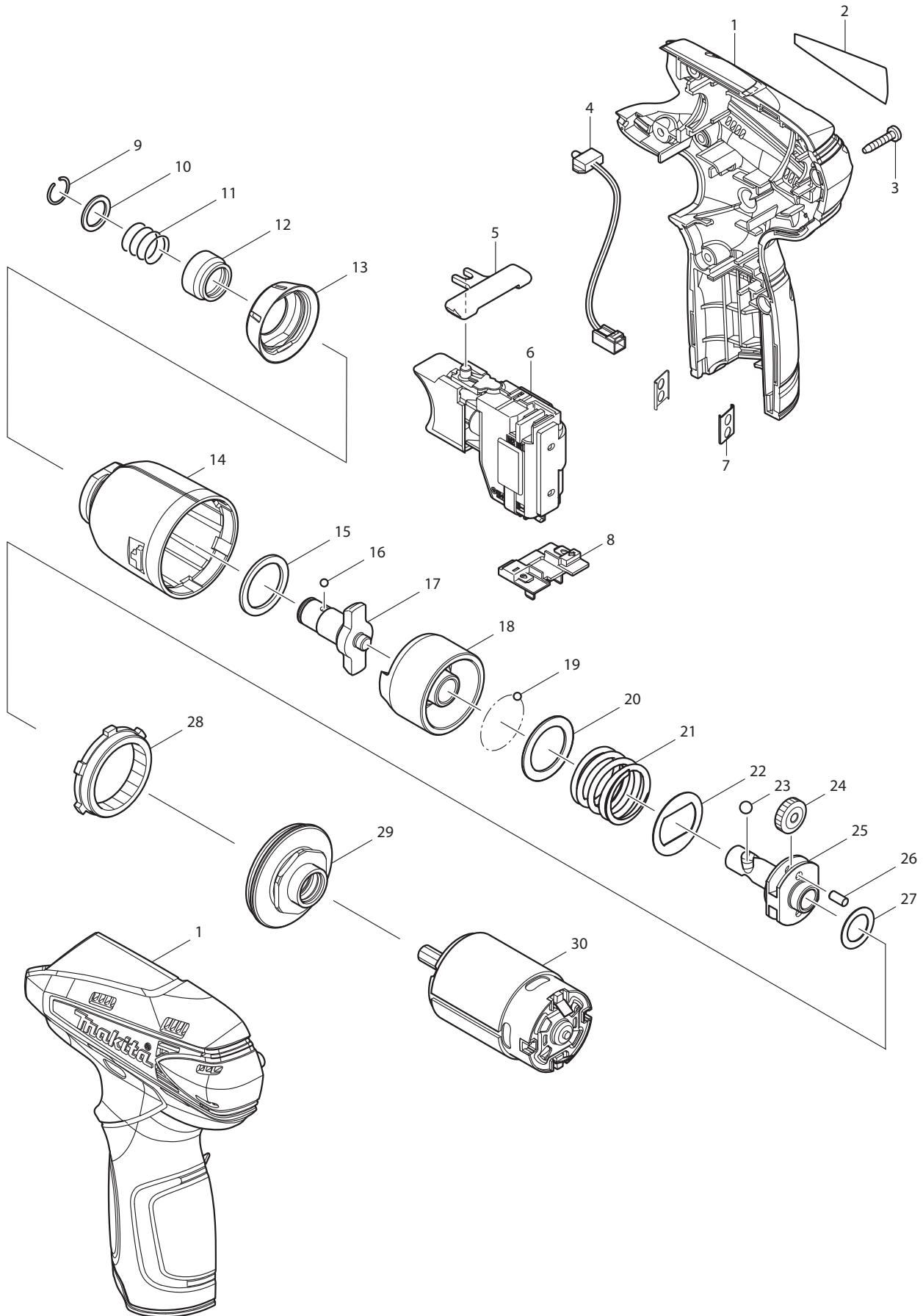




11 - 2010
DT01 / DT01Z
12V IMPACT DRIVER KIT



Item No	Type	Ref	Part No	Description	Qty	Unit	
1	1		188985-1	* HOUSING SET	1	SET	
		INC.	892030-3	CAUTION LABEL	1	PC.	
	2		187453-1	* HOUSING SET	1	SET	
		INC.	892030-3	CAUTION LABEL	1	PC.	
2			868883-2	DT01 NAME PLATE	1	PC.	
3			266130-9	TAPPING SCREW BIND PT 3X16	6	PC.	
4	1		631813-4	* LED CIRCUIT (OLD)	1	PC.	
5			450504-6	F/R CHANGE LEVER	1	PC.	
6	1		650599-1	* SWITCH C3HY-1A-LM	1	PC.	
	2		650645-0	* SWITCH C3HY-1A-LF1M (Tool manufactured before March	1	PC.	
	3		650699-7	* SWITCH C3HW-3A-LF1M (Tool manufactured on or after April	1	PC.	
7			345998-7	SET PLATE	2	PC.	
8			643830-2	TERMINAL	1	PC.	
9			231965-7	RING SPRING 10	1	PC.	
10			267143-3	FLAT WASHER 11	1	PC.	
11			233005-7	COMPRESSION SPRING 13	1	PC.	
12			324711-6	BIT SLEEVE	1	PC.	
13			424109-8	BUMPER	1	PC.	
14			158670-0	HAMMER CASE COMPLETE	1	PC.	
15			261140-1	NYLON WASHER 20	1	PC.	
16			216019-1	STEEL BALL 3	2	PC.	
17			324895-0	ANVIL M	1	PC.	
18			324894-2	HAMMER	1	PC.	
19			216019-1	STEEL BALL 3	24	PC.	
20			267380-9	FLAT WASHER 20	1	PC.	
21			234064-4	COMPRESSION SPRING 21	1	PC.	
22			267813-4	WASHER 21	1	PC.	
23			216002-8	STEEL BALL 4.8	2	PC.	
24			227213-0	SPUR GEAR 17	2	PC.	
25			324897-6	SPINDLE	1	PC.	
26			268217-3	PIN 3.5	2	PC.	
27			253052-2	FLAT WASHER 12	1	PC.	
28			227215-6	INTERNAL GEAR 43	1	PC.	
29			158671-8	BEARING BOX COMPLETE	1	PC.	
		INC.	210112-3	BALL BEARING 6801LLB	1	PC.	
		INC.	213188-9	O-RING 13	1	PC.	
30			629851-8	DC MOTOR	1	PC.	
C01			871578-8	CARTON	1	PC.	
<u>ACCESSORIES</u>		- See catalogue or visit www.makita.ca for more accessories -					
A01			168467-9	HOLSTER	1	PC.	
A02			DC10WB	CHARGER DC10WB F/LI-ION 7.2, 10.8, 12V	1	PC.	
A03			195332-9	12V MAX LI-ION BATTERY BL1014	2	PC.	
A04			784244-7	+ BIT 2-50	1	PC.	
A05			824781-0	PLASTIC CASE F/Storing small Accessory(ies)	1	PC.	
A06			824842-6	PLASTIC CARRYING CASE	1	PC.	
		INC.	417724-5	LATCH	2	PC.	
A07			-----	BIT (See Catalogue for details)	1	PC.	

SERVICE CHANGES

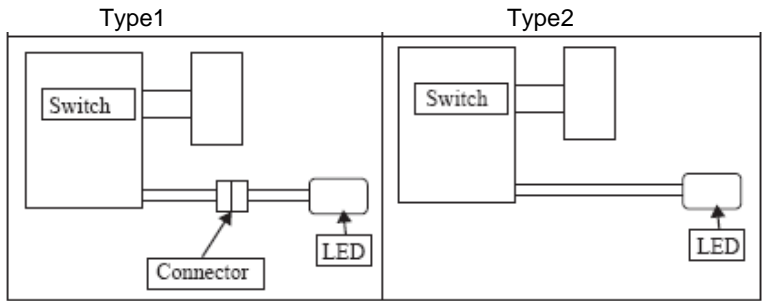
1. Changes on Switch

(T/I# 90876)

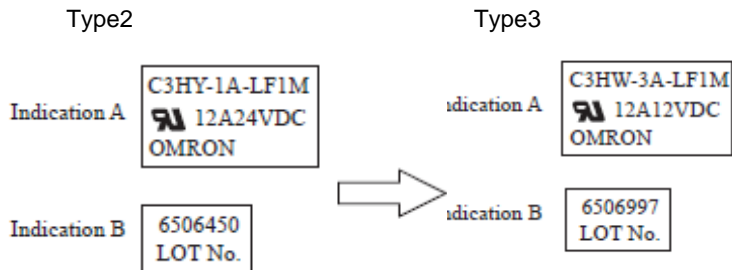
(T/I# 98235)

Item No.	Description	Type 1	Type 2	Type 3
4	LED CIRCUIT	631813-4	-----	-----
6	SWITCH	650599-1	650645-0	650699-7

Above parts are completely interchangeable as a set.



Switch has been changed to comply with EMC. Switch and LED circuit have been unified by eliminating Connector to secure a space for Line filter.



Use Type 3 switch for repair the tool manufactured on or after April 2013
 Use Type 1 or 2 switch for repair the tool manufactured before March 2013

2. Changes on Housing (Addition of Line Filter) (T/I# 91992)

Item No.	Description	Type 1	Type 2
1	HOUSING SET	188985-1	187453-1

Service Note:

- Use the new Housing set for repair of the models manufactured on or after July 2011 (the models have the modified ribs.) The current Housing set remains available.
- Use the current Housing set for repair of the models manufactured before July 2011 (the models have not the modified ribs.)

**** See Technical Information T/I# 91992 for the illustration / wiring changes**